

**TYPE D36  
WATER PRESSURE REDUCING VALVE**

## TYPE D36 WATER PRESSURE REDUCING VALVE

SIZES 1/2" – 2"  
PRESSURES to 300 PSIG at 160°F

- High Capacity
- Sensitive Spring and Large Diaphragm Area for Accurate Pressure Control
- Renewable Stainless Steel Single Seat
- Watertight Cage Assembly
- Soft Seat for Tight Shutoff
- Quiet Operation due to Opening in Direction of Flow
- ANSI/FCI 70-2 Class VI Shutoff

### OPTIONS

- Strainer and nipple

### APPLICATION DATA

- Liquid pressure reduction in industrial, commercial and domestic applications

### VALVE RATINGS

Valve Ends ASME/ANSI	Pressure PSIG (bar)	Temperature °F (°C)
<b>CAST BRONZE</b> B16.15 Class 250 NPT	300 (21.0)	@ 160 (71)

### SPRING RANGES (psi)

10-35	75-100
25-75	

Canadian Registration # OC 0591.9C

*Installation Tip:* Add Uniflex Pipe Coupling for ease of maintenance  
SEE PAGE 374

SIZING INFO  
PAGE 108

### RATED FLOW COEFFICIENTS (Cv)

VALVE SIZE					
1/2	3/4	1	1 1/4	1 1/2	2
2.5	3.6	5	9	14	17

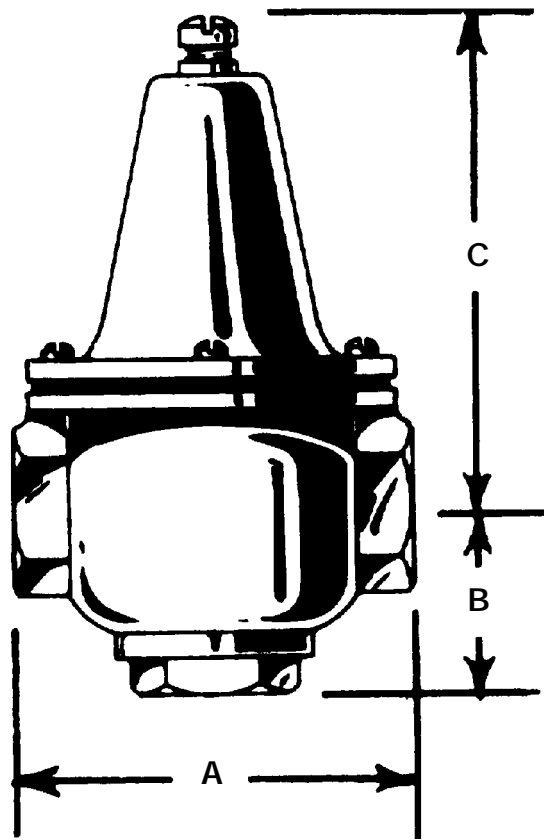
# TYPE D36 WATER PRESSURE REDUCING VALVE

## SPECIFICATION

Valve shall be self operated requiring no external energy source. Valve shall have a bronze body and stainless steel renewable seat. Diaphragm shall be suitable for water service. Valve rated to 300 psi at 160°F. Disc to be removable without disassembly of the valve. Valve to meet A.S.S.E. Standard 1003, Southern Standard Plumbing Code and I. A. P. M. O. Military Standard MIL-V-1846A Type I. City of Los Angeles and W.P.O.A. Uniform Plumbing Code.

## MATERIALS OF CONSTRUCTION

Body .....Bronze ASTM B61-80 UNS C92200  
 Stem .....Bronze ASTM B61-80 UNS C92200  
 Disc .....Buna N  
 Seat .....304 St. Stl ASTM 276 Cond. A  
 Gasket .....Nylatron-GS  
 Diaphragm .....Buna N  
 Spring .....302 St. Stl.



D36 WATER PRESSURE  
REDUCING VALVE

TYPE D36  
WATER PRESSURE REDUCING VALVE

### DIMENSIONS inches (mm) AND WEIGHTS pounds (kg)

Size	Dimensions, Inches			Weight (lbs.)
	A	B	C	
1/2 (13)	4 1/4 (108)	2 (51)	6 1/4 (159)	5.25 (2.4)
3/4 (19)	4 1/4 (108)	2 (51)	6 1/4 (159)	5.25 (2.4)
1 (25)	4 3/4 (121)	2 1/8 (54)	6 1/2 (165)	8 (3.5)
1 1/4 (32)	5 (127)	2 3/4 (70)	6 3/4 (171)	10 (4.4)
1 1/2 (38)	6 3/4 (171)	2 3/4 (70)	9 7/8 (251)	20 (9.1)
2 (51)	8 (203)	3 1/4 (83)	10 3/4 (273)	33 (15)